

Economical, Multi-format, HDTV Box Camera

DK-Z50



The DK-Z50 is a high-performance special application HDTV/SD camera. The camera is ideal for graphic stands point of view and remote observation applications. With its new 2/3-inch 1.0 million pixels 3-CCD, the DK-Z50 provides outstanding performance. The camera offers sharper and cleaner HD images due to its 14-bit A/D converters and Hitachi's implementation of the latest digital processing technology. The camera achieves outstanding high sensitivity and a low vertical smear specification.

Features

●High S/N with HD-SDI

Outstanding Signal-to-noise ratio >58dB measured on the HD-SDI (1080i) output.

●14-bit ADC with the latest generation Hitachi DSP

High dynamic range and color fidelity are achieved by employing 14-bit analog-to-digital converters on the RGB CCDs' outputs. Hitachi is a leading developer for High performance CPU & DSP in Broadcast Fields.

●High Resolution

The latest generation 2/3-inch CCD with micro lenses and Spatial-offset Processing technologies provided a horizontal resolution performance of 800 TV lines (luminance channel).

●Small & light weight head

●Versatile CCD shutter

- Five Preset shutter speeds
- Lock scan the camera video to images from asynchronous computer monitors, video walls or projectors without flicker
- Automatic Electronic Shutter (AES) maintains the video level with a fixed lens f-stop

●DSP provide advanced image handling and adjustment functions

- Knee saturation and auto-knee
- 12-Vector and Linear Matrix masking
- Skin tone masking
- Automatic Skin Tone Detail Circuits
- Variable Detail Boost Frequency
- Ultra Gamma
- Gray Scale Automatic Setup
- Automatic Shading Correction

●Extensive User-Friendly Features

- Full Auto
- Nine scene files are provided to store and recall functions such as gain, detail, masking, gamma and other settings
- White balance memories are provided for each Scene files for a total of nine memories by the remote control panel
- Menu access is provided for iris level (fine adjustment) and iris peak/average selection
- Computer controlled real-time auto-white balance
- ECC (Electric Color Compensating) filter

Specifications

CCD	2/3-inch, IT-CCD
Total pixels	Total pixels 1.0 million pixels
Aspect ratio	16:9 (HD/SD), 4:3 (SD) switchable
TV signal format	1080/59.94i, 1080/50i, 480/59.94i, 576/50i
HD Resolution	800TVL
Standard sensitivity	2000 lx / F10 (1080/59.94i), 2000 lx / F11 (1080/50i) 3200K, 89.9% reflectance
Minimum illumination	0.002lx (F1.4, 36dB Video Gain+36dB frame accumulation mode)
HD S/N	Typical 58dB (HD-SDI output decode Y channel Band : 27.5 MHz)
Optical Filter	Clear, 1/4 ND, 1/16 ND, 1/64 ND
ECC Filter	3200K, 4300K, 5600K, 6300K, 8000K
Shutter	PRESET
	Lock Scan
Gain selection	L (low)
	M (medium)
	H (high)
Dimensions (W x H x D)	99(W) x 105(H) x 155(D) (excluding protrusions)
Power consumption	approx. 17W (DC12V)
Mass	approx. 1.5 kg (3.3 lbs)

Input/Output

Genlock	BNC, Tri-level sync / Black burst
SDI output	BNC x 2, HD-SDI : SMPTE292M 0.8Vp-p/1.5Gbps SD-SDI : SMPTE259M-C 0.8Vp-p/270Mbps
Remote control	1 : 4pin, RS-232C/Remote Control panel 2 : RJ-45, 10BASE-T/100BASE-TX
Lens control	12pin
VF output	D-sub 15pin

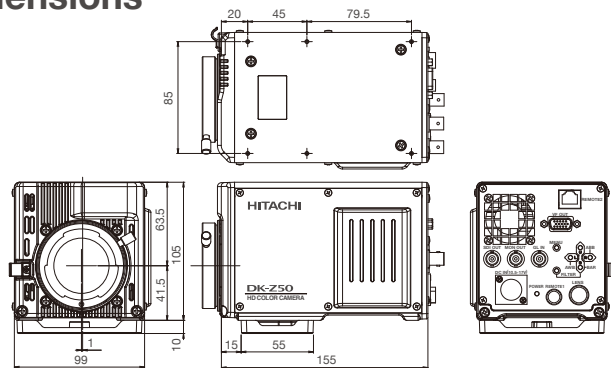
Standard composition

Camera head DK-Z50	1
Lens Mount Cap	1
Operation Manual	1

Accessories

Remote control unit	RU-1000VR / RU-1500JY
Setup control unit	SU-1000
AC adaptor	IA-60a (I.D.X)
Lens Extension Cable	ECE-R22 (0.22m) (FUJINON)

Dimensions



CAUTION : To ensure safe operation, please read the instruction manual before using this product.

These Specifications are subject to change without notice.

Hitachi Kokusai Electric Inc.

Head Office : 4-14-1, Sotokanda, Chiyoda-ku, Tokyo 101-8980, Japan
Phone : +81(0)3-6734-9432, Fax : +81(0)3-5209-5942
URL : <http://www.hitachi-kokusai.co.jp/>

Hitachi Kokusai Electric (Shanghai) Co., Ltd.

Beijing Branch : Room 1415, Beijing Fortune Building, 5 Dong San Huan Bei-Lu, Chao Yang District, Beijing 100004, China
Phone : +86(0) 10-6590-8755/8756, Fax : +86(0) 10-6590-8757

Hitachi Kokusai Electric America, Ltd. URL : <http://hitachikokusai.us>

Headquarters and : 150 Crossways Park Drive, Woodbury, New York 11797, U.S.A.

Northeast Office : Phone : (+1)516-921-7200, Fax : (+1)516-496-3718

West Office : 11258 Monarch Street Suite H Garden Grove, CA 92841, U.S.A.

Phone : (+1)714-895-6116, Fax : (+1)714-895-6252

Midwest Sales : Phone : (+1)330-334-4115, Fax : (+1)516-496-3718

Service : (+1)989-345-5379

South Sales : Phone : (+1)850-934-1234

Service : (+1)256-774-3777

Parts Center : Phone : (+1)516-682-4435, Fax : (+1)516-921-0993

Latin Sales : Phone : (+1)516-682-4408, Fax : (+1)516-496-3718

Hitachi Kokusai Electric Canada, Ltd.

Head Office : 1 Select Avenue Unit#12 Scarborough, Ontario M1V5J3, Canada

Phone : (+1)416-299-5900, Fax : (+1)416-299-0450

Eastern Office : 5795 Chemin St. Francois St. Laurent, Quebec H4S 1B6, Canada

Phone : (+1)514-332-6687, Fax : (+1)514-335-1664

Hitachi Kokusai Electric Europe GmbH URL : <http://www.hitachi-keu.com>

Sales and Engineering : Siemensstr. 9, D-63263 Neu-Isenburg, Germany

+49(0) 6102-8332-0, Fax : +49(0) 6102-202616

Frankfurt office : Windsor House, Queensgate, Britannia Road, Waltham Cross,

Hertfordshire EN8 7NX, United Kingdom

Phone : +44(0) 845-121-2177, Fax : +44(0) 845-121-2180

General email address : webmaster@hitachi-keu.com

Hitachi Kokusai Linear Equipamentos Eletrônicos S/A URL : <http://www.linear.com.br>

Head Office : Praca Linear, 100, Centro - 37540-000, Santa Rita do Sapucaí, MG - Brazil

Phone : (+55 35) 3473-3473, Fax : (+55 35) 3473-3474

Sales office : Av Paulista, 1159 - 3º andar - Ed Barão do Serro Azul

Jardim Paulista -01311-200, São Paulo, SP - Brazil

Phone : (+55 11) 3541-3244, Fax : (+55 11) 3541-2425

Sales office : Rua dos Timbiras, 1940, Rooms 608/609

Lourdes - 30140-061 - Belo Horizonte, MG - Brazil

Phone : (+55 35) 3473-3473, Fax : (+55 35) 3473-3474

Hitachi Kokusai Electric Turkey Elektronik Ürünleri Sanayi ve Ticaret A.Ş.

213 Palladium Ofis ve Residence Binası Barbaros Mahallesi Halk Caddesi

No:8/A Kat:2-3 Atasehir 34746 Istanbul, Turkey

Phone : 90-216-663-6045